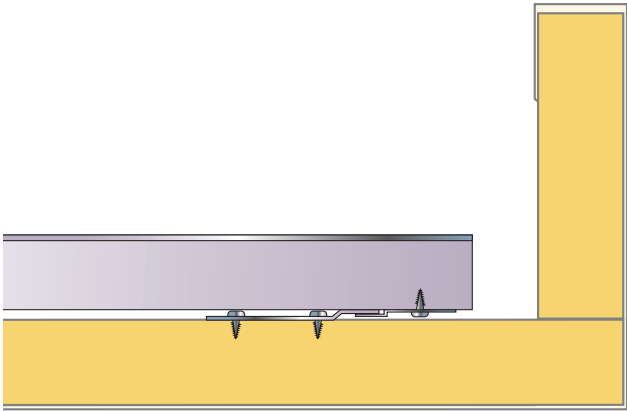


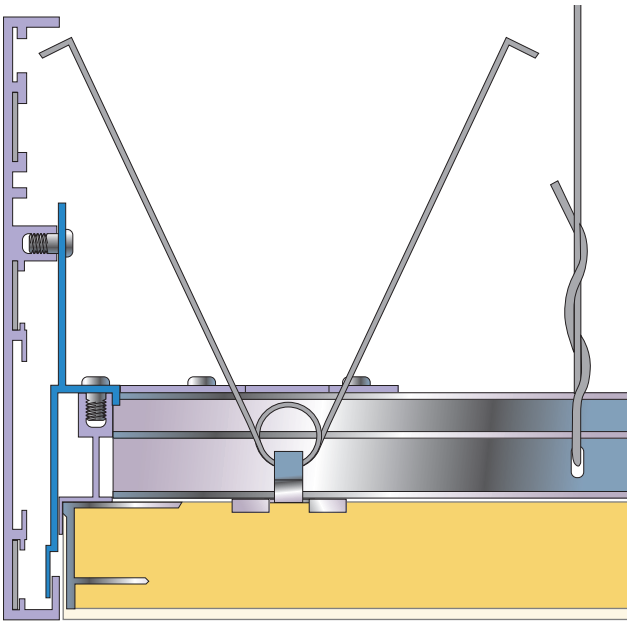
Ceilings

Designed Returns

Designed Returns provide visual impressions of depth and thickness while architecturally concealing lighting elements and suspension.



Built-Up Panel Seamless Return



└─ 1/8" (3mm) reveal

Continuous Extruded Aluminum Return

Built-Up Panel Seamless Return

Available in heights to suit (up to 4" (100mm)). It is an integral part of the acoustic ceiling panel. It can be shaped and custom curved to match the panel.

Design Considerations

This type of returned edge can be used on the Direct Suspended, Suspended Reveal, and the Suspended Accessible Reveal Systems. The returned edge is a part of the panel, and as such is not continuous - there will be a gap at each panel joint which should be taken into consideration when incorporating lighting behind the return.

Continuous Extruded Aluminium Return (field attached to grid)

Available with a 5 15/16" (150mm) high return (sufficient to hide the springs), and is designed specifically for the *Ceilencio Custom System*. Custom heights can be accommodated.

The extruded aluminum edge can also be provided precurved.

Design Considerations

This is the only edge return that provides a continuous look. There is a 1/8" (3mm) reveal between the return and panel. The *Ceilencio Custom* panels can be accessed without affecting the return edge - it remains in place, as it is part of the ceiling grid. It is only available as an option with the *Ceilencio Custom Ceiling System*.

If *Claro* or *Metallo* finished, texture will be similar to the panels.

Acoustical Data (ASTM C423: Type E400 Mounting as per ASTM E795).

FINISH	PANEL THICKNESS	FREQUENCY (Hz)						NRC	SAA
		125	250	500	1000	2000	4000		
Fabric	1" (25 mm)	0.46	0.52	0.94	1.01	1.10	1.13	0.90	0.87
Fabric	2" (50 mm)	0.42	0.77	1.05	1.09	1.09	1.08	1.00	0.97
<i>Claro</i> or <i>Metallo II</i>	1-1/16" (27 mm)	0.39	0.63	0.83	1.05	1.05	1.00	0.90	0.87

Acoustic testing was performed on a panel finished with an acoustically transparent fabric.

Ceilings

Designed Returns

Custom Designed Returns

Alternate Custom Designed Returns are available.

Consult the factory if our standard returns do not meet your design requirements.

Custom extrusions and flexible returns are also available.

Standards, Tests and Approvals

Surface Burning Characteristics (ASTM E-84):

All panel components have a Flame Spread rating of less than 25.

Note: Building code requirements may necessitate composite panel testing based on specified finish.

A panel comprised of "Class A" (Flame Spread of 25 or less) components does not necessarily produce a composite panel meeting the "Class A" requirement. Decoustics has a considerable number of composite panel tests on file.

Note: The information provided in this Data Sheet is accurate to the best of our knowledge at the time of printing. However, we reserve the right to make changes when necessary without further notification. Suggested applications may need to be modified to conform with local building codes and conditions. We cannot accept responsibility for products that are not used, or installed, to our specifications. Please refer to our website for most current data.

Note: Only handle panels wearing clean, lightweight, white gloves during installation. Follow manufacturer's printed instructions for installation as well as field cutting of panels.